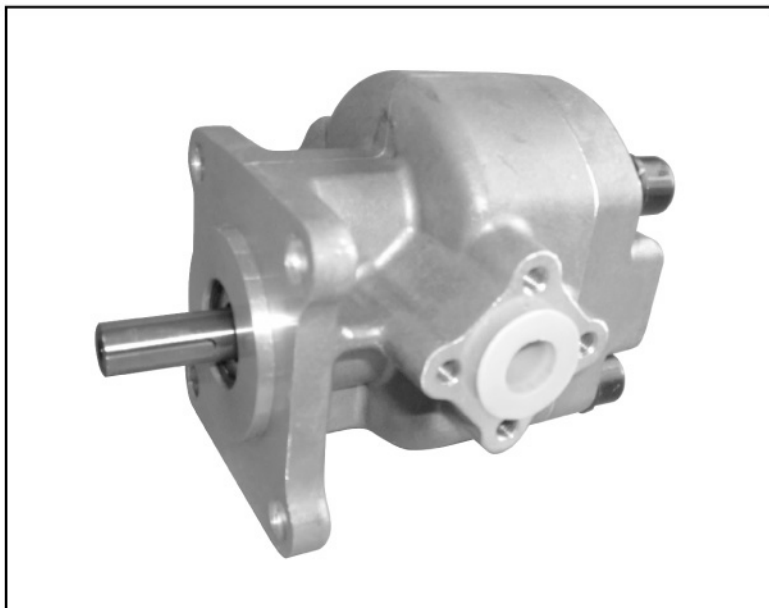


2A GEAR PUMP

■ RGP - 2A SERIES GEAR PUMP



HOW TO ORDER

RGP - 2A - F * * - R

• Gear Pump

• Series Number

• Nominal Discharge

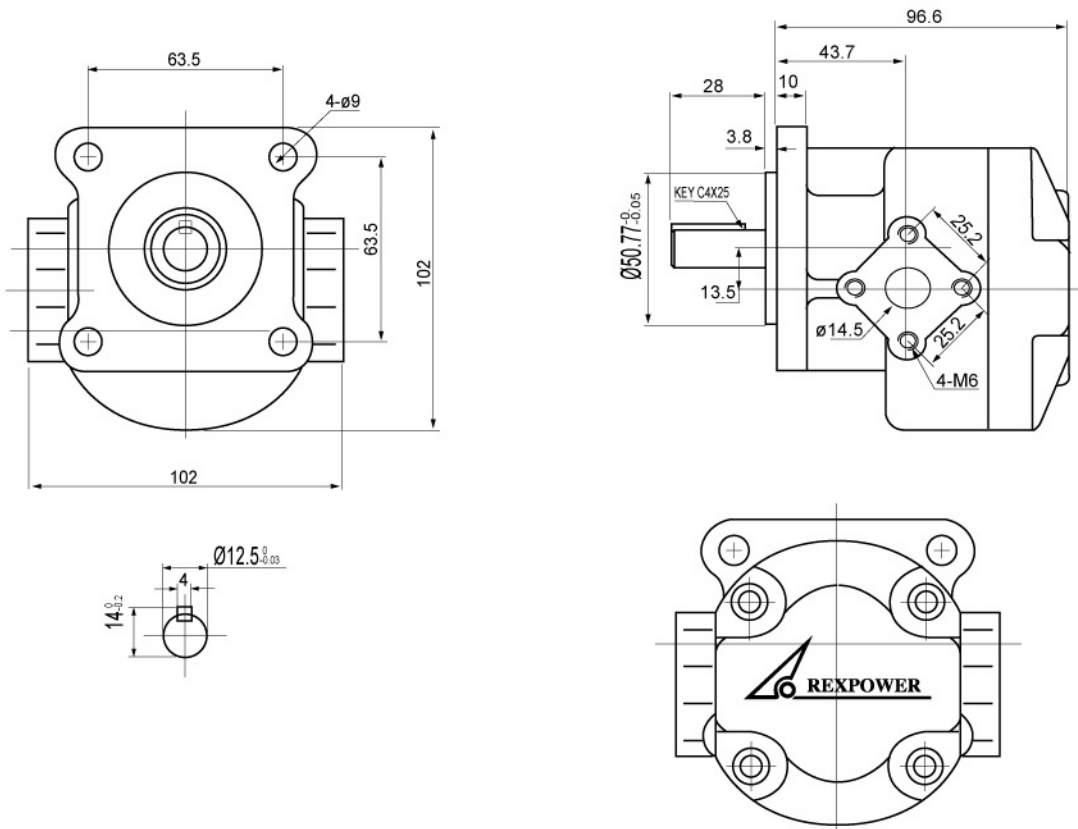
• Rotation (from shaft side)

R: clock wise

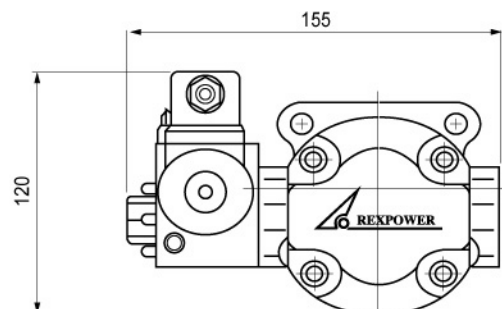
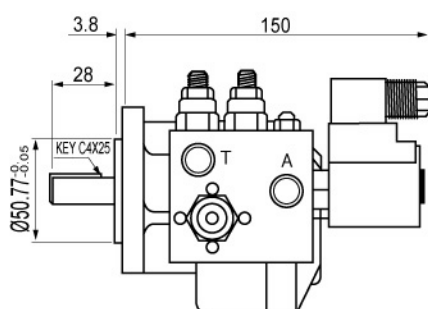
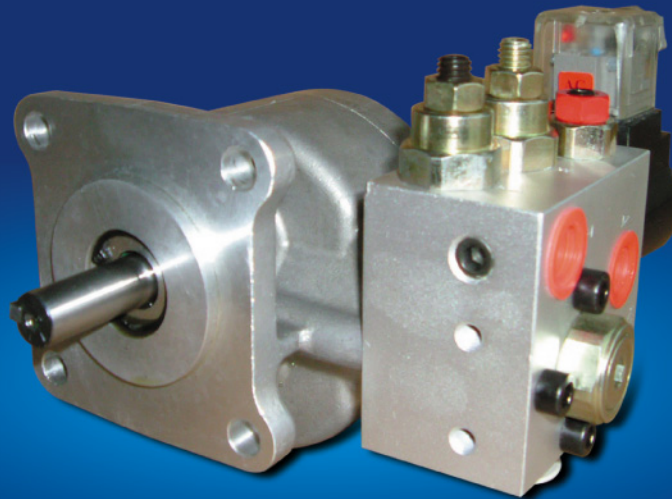
L: anti-clock wise

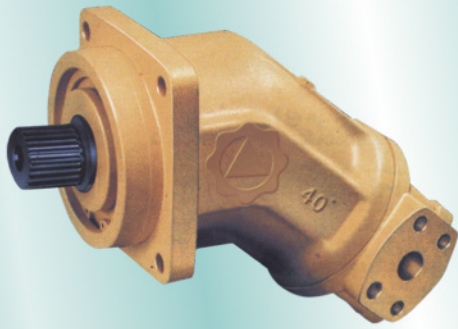
Model	Displacement ml/rev	Pressure Mpa		Speed rpm		Weight kg
		Rated	Max	Max	Min	
RGP-2A-F02	2	21 (3000 psi)	25 (3500 psi)	5000	850	1.55
RGP-2A-F03	3					1.56
RGP-2A-F04	4					1.58
RGP-2A-F05	5			3000	600	1.60
RGP-2A-F06	6					1.60
RGP-2A-F08	8					1.65
RGP-2A-F09	9	17.5 (2500 psi)	21 (3000 psi)	2000	500	1.65
RGP-2A-F11	11					1.70
RGP-2A-F12	12					1.70

2A GEAR PUMP



● GEAR PUMP WITH LIFT VALVE





PISTON PUMP



HI-PRESSURE VANE PUMP



TROCHOIDAL PUMP



INTERNAL GEAR PUMP



REXPOWER HYDRAULIC & PNEUMATIC CO., LTD

Room C, 3F, No. 4, Lane 27, Section 2, Chung Shan North Road, Taipei Taiwan.

TEL : (886-2)25212774, 25115628 FAX: (886-2)25224608, 25237221

E-Mail : rexpowers@ms9.hinet.net <http://www.rexpowers.com>

Factory : **SHANGHAI DONGJIE HYDRAULIC CO., LTD.**

No. 598, Hengan Road, Pu Dong New Area, Shanghai 200137

KOREA • THAILAND • MALAYSIA • PHILIPPINES • VIETNAM • COLOMBIA • SOUTH AFRICA • POLAND