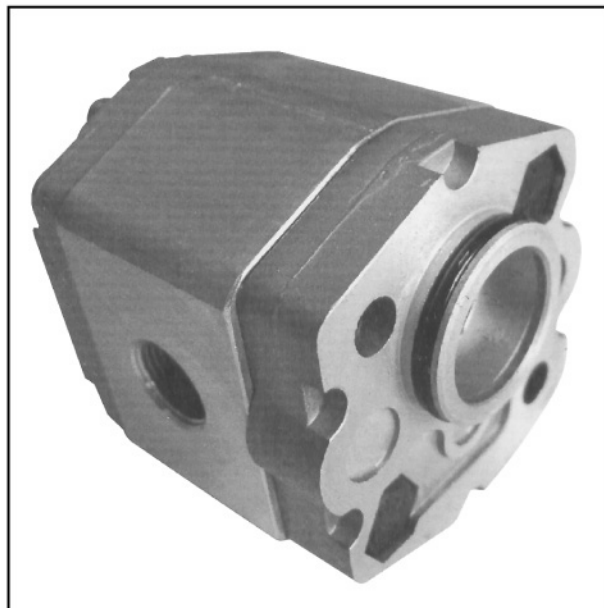
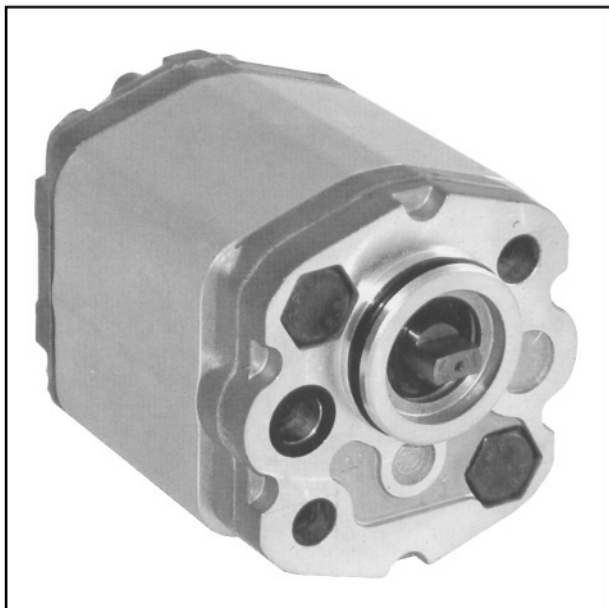


# F1 GEAR PUMP

## ■ RGP - F1 SERIES GEAR PUMP



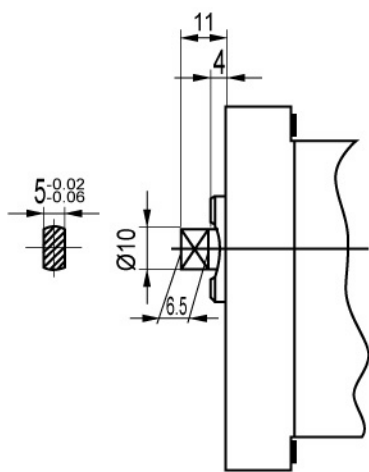
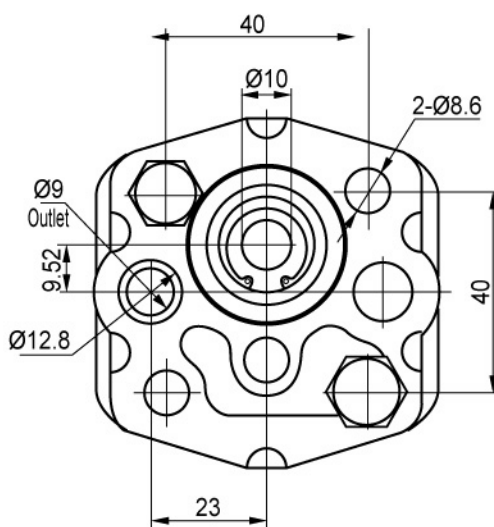
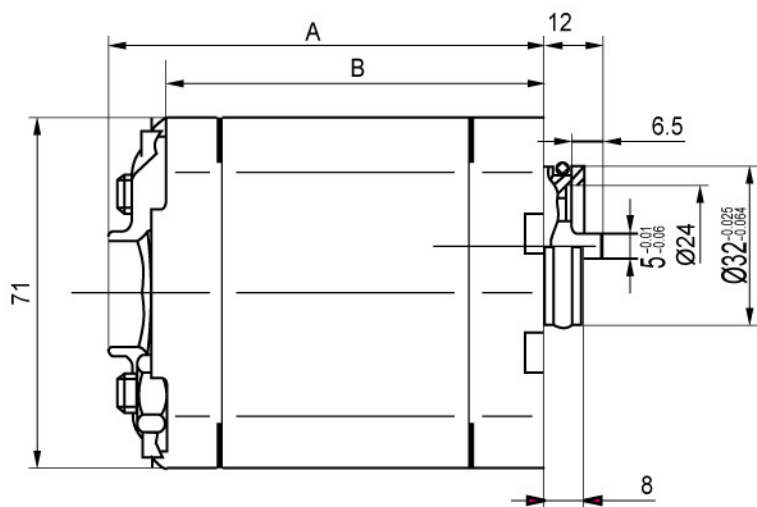
### HOW TO ORDER

**RGP - F1 \* \* - R \* \* \***

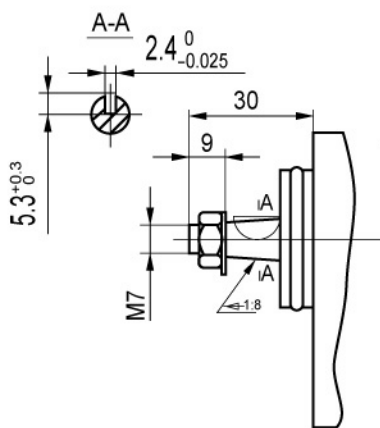
- Gear Pump
- Series Number
- Nominal Discharge
- Rotation (from shaft side)  
R: clock wise  
L: anti-clock wise
- Outlet Position  
Omit: side  
A: front
- Inlet Position  
Omit: side  
A: back
- Shaft Type  
B: flat key  
Z: taper

Model	Displacement ml/rev	Pressure Mpa		Speed rpm		Input Power kw	Weight kg
		Rated	Max	Max	Min		
RGP-F106	0.6	20 (2800 psi)	25 (3500 psi)	6000	600	0.47	0.75
RGP-F111	1.1					0.86	0.77
RGP-F113	1.3					1.02	0.79
RGP-F116	1.6					1.25	0.80
RGP-F118	1.8					1.45	0.81
RGP-F121	2.1					1.65	0.82
RGP-F127	2.7			2.12	0.85		
RGP-F132	3.2			5000	2.51	0.87	
RGP-F137	3.7			4500	2.90	0.90	
RGP-F142	4.2			4000	3.29	0.92	
RGP-F148	4.8	16 (2200 psi)	20 (2800 psi)	3500	3.76	0.95	
RGP-F158	5.8			2900	4.55	1.00	
RGP-F180	8.0			2100	6.27	1.10	

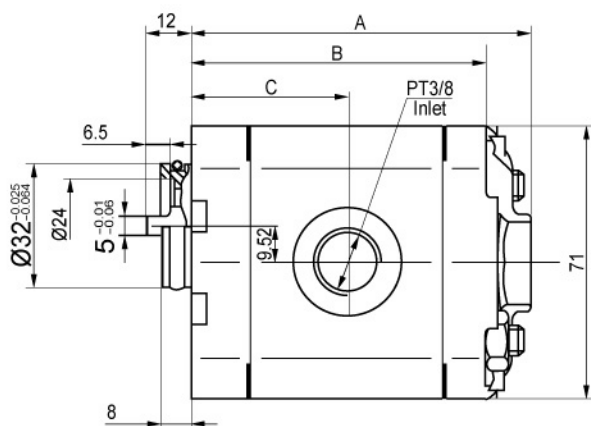
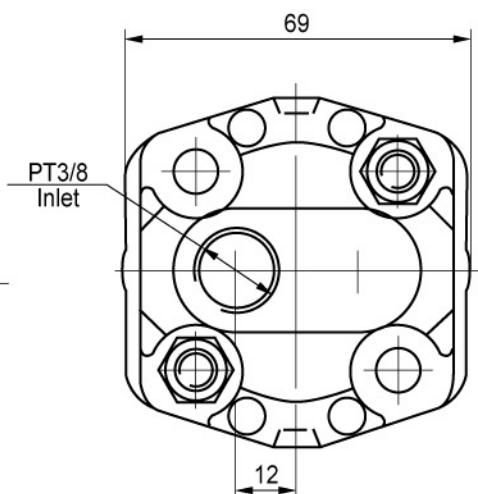
# F1 GEAR PUMP



• Flat key shaft



• Taper shaft type



MODEL	A(mm)	B(mm)	C(mm)
RGP-F111	74	62	33
RGP-F113	75	63	33.5
RGP-F116	76	64	34
RGP-F118	77	65	34.5
RGP-F121	78	66	35
RGP-F127	80	68	36
RGP-F132	82	70	37
RGP-F137	84	72	38
RGP-F142	86	74	39
RGP-F148	88	76	40
RGP-F158	92	80	42
RGP-F180	100	88	46