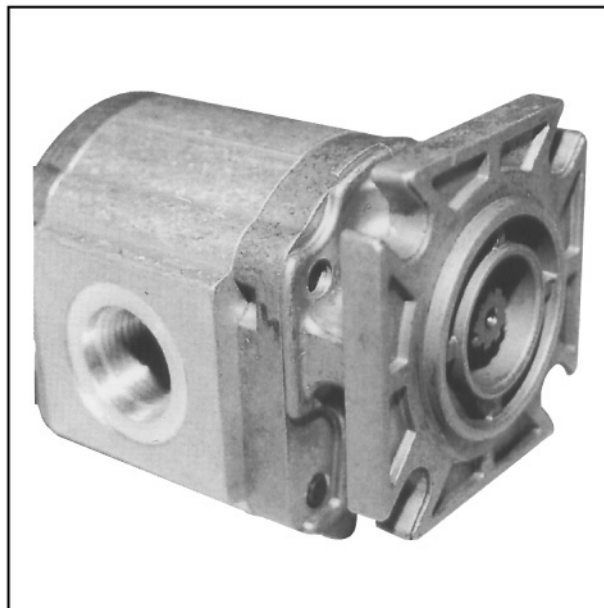
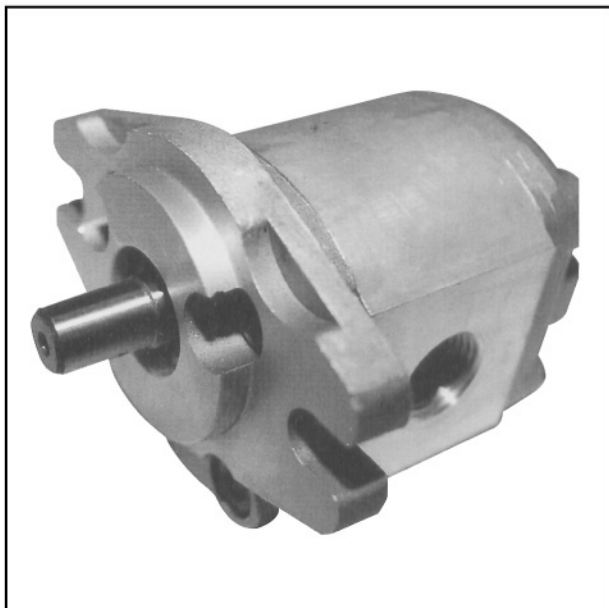


F2 GEAR PUMP

■ RGP - F2 SERIES GEAR PUMP



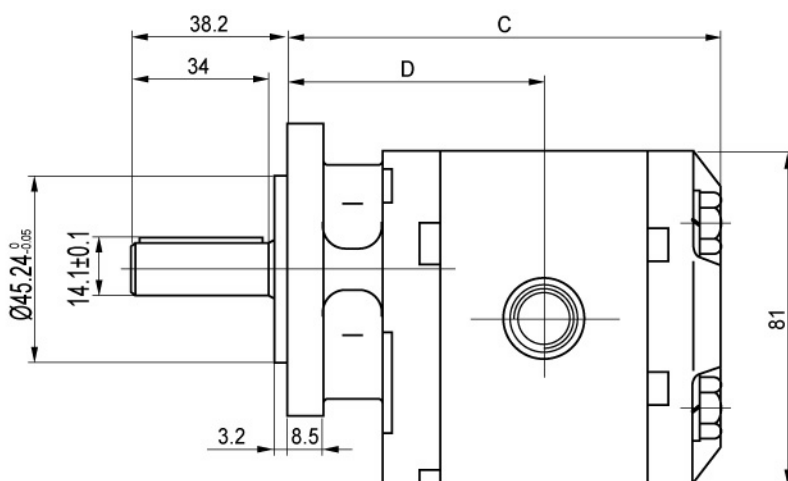
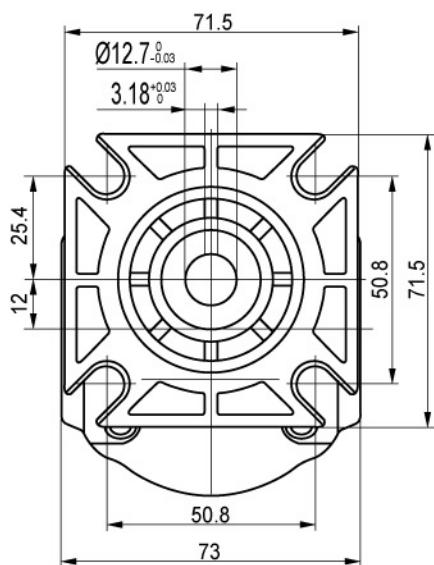
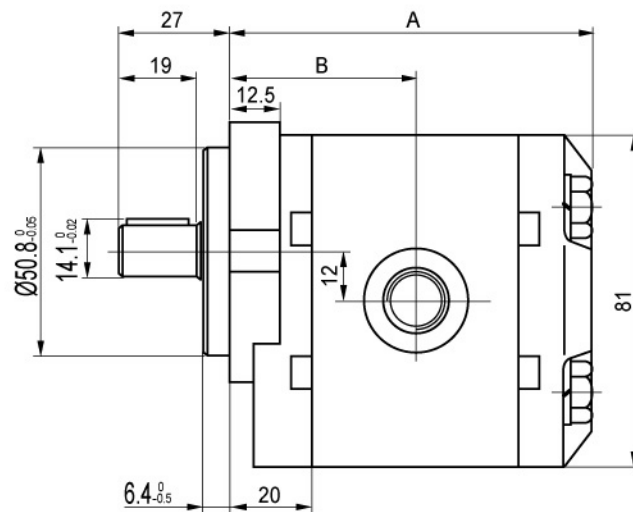
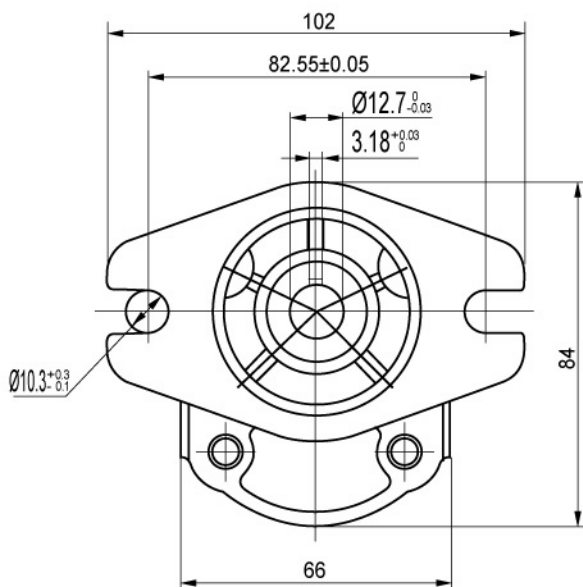
HOW TO ORDER

RGP - F2 * * - R * * * *

- Gear Pump
- Series Number
- Nominal Discharge
- Rotation (from shaft side)
R: clock wise
L: anti-clock wise
- In / Outlet Port
Omit: thread
F : flange
- Mounting Flange
Omit: 2 bolt
S : 4 bolt
- Shaft Type
Omit: Ø12.7 square key
A : Ø12 square key
S* : SAE * spline

| Model | Displacement ml/rev | Pressure Mpa | | Speed rpm | | Input Power kw | Weight kg |
|-----------|---------------------|------------------|------------------|-----------|-----|----------------|-----------|
| | | Rated | Max | Max | Min | | |
| RGP-F201 | 1.3 | 20 (2800 psi) | 25 (3500 psi) | 3500 | 600 | 1.02 | 0.92 |
| RGP-F202 | 2.0 | | | | | 1.25 | 1.05 |
| RGP-F2025 | 2.7 | | | | | 2.12 | 1.22 |
| RGP-F203 | 3.4 | | | | | 2.17 | 1.36 |
| RGP-F204 | 4.1 | | | | | 3.25 | 1.52 |
| RGP-F205 | 5.1 | | | | | 4.15 | 1.72 |
| RGP-F206 | 6.1 | | | | | 4.72 | 1.90 |
| RGP-F208 | 8.0 | | | | | 6.30 | 2.20 |

F2 GEAR PUMP



| MODEL | A(mm) | B(mm) | C(mm) | D(mm) | PORT | |
|-----------|-------|-------|-------|-------|-------|--------|
| | | | | | INLET | OUTLET |
| RGP-F201 | 82 | 42 | 99 | 59 | 1/2" | 3/8" |
| RGP-F202 | 84 | 43 | 101 | 60 | | |
| RGP-F2025 | 86 | 44 | 103 | 61 | | |
| RGP-F203 | 88 | 45 | 105 | 62 | | |
| RGP-F204 | 90 | 46 | 107 | 63 | | |
| RGP-F205 | 93 | 47.5 | 110 | 64.5 | | |
| RGP-F206 | 96 | 49 | 113 | 66 | | |
| RGP-F208 | 102 | 52 | 120 | 70 | | |