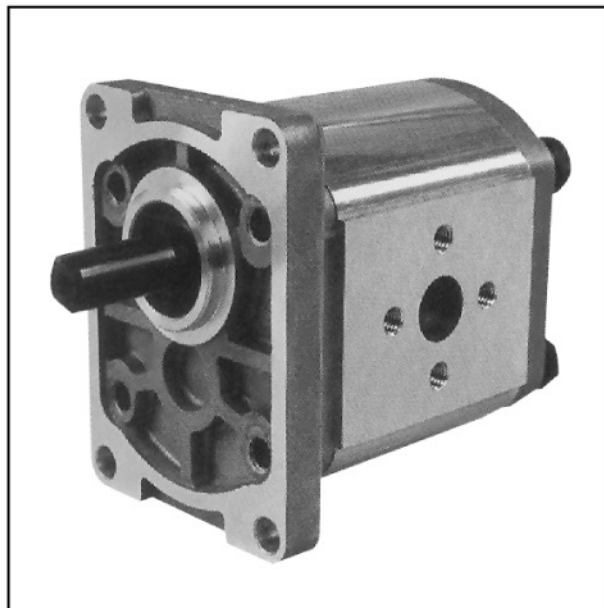
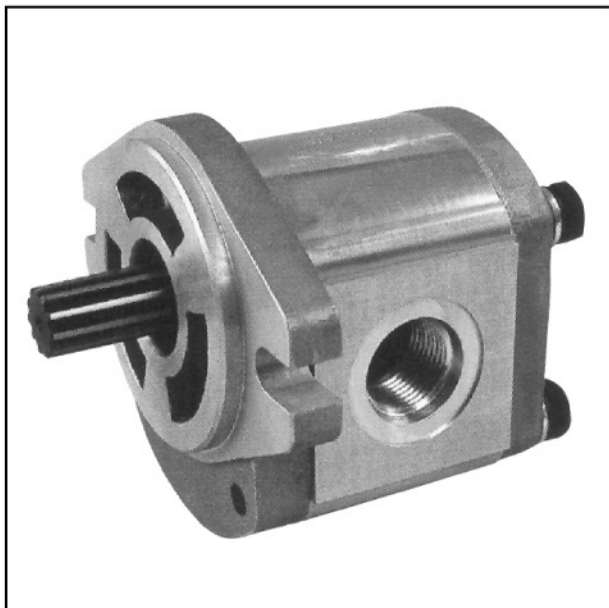


# F3 GEAR PUMP

## RGP - F3 SERIES GEAR PUMP



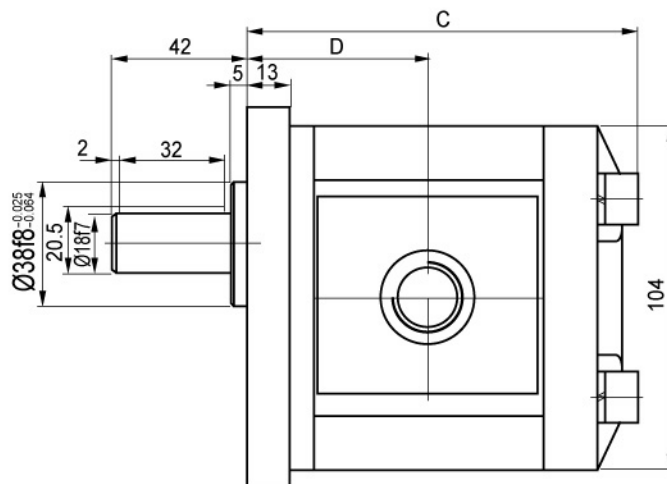
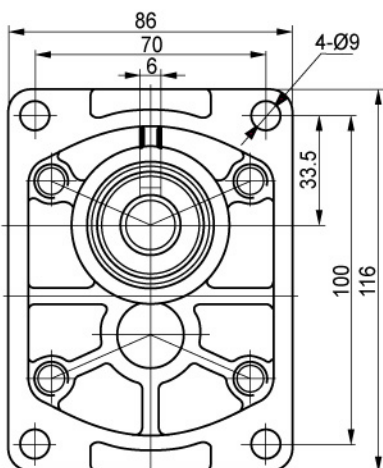
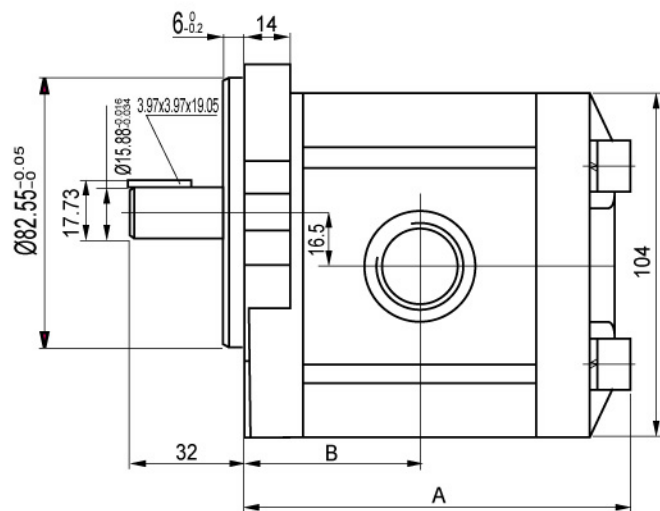
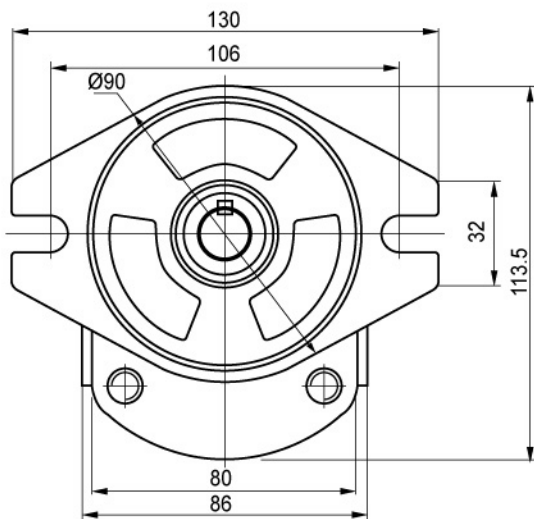
### HOW TO ORDER

**RGP - F3 \*\* - R \*\* \* \* - \***

- Gear Pump
- Series Number
- Nominal Discharge
- Rotation (from shaft side)  
R: clock wise  
L: anti-clock wise
- Cover  
Omit: aluminum  
C: casting iron
- In / Outlet Port  
Omit: thread  
F: flange
- Mounting Flange  
Omit: 2 bolt  
S : 4 bolt
- Shaft Type  
Omit: Ø15.88 square key  
19 : Ø19.05 square key  
S\* : SAE \* spline

Model	Displacement ml/rev	Pressure Mpa		Speed rpm		Input Power kw	Weight kg	
		Rated	Max	Max	Min		2 bolt	4 bolt
RGP-F304	4	20 (2800 psi)	25 (3500 psi)	3500	600	3.2	2.35	2.50
RGP-F306	6					4.7	2.45	2.60
RGP-F308	8					6.3	2.55	2.70
RGP-F310	10					7.8	2.60	2.80
RGP-F312	12					9.4	2.69	2.85
RGP-F314	14					11.0	2.73	2.88
RGP-F316	16					12.5	2.85	3.01
RGP-F318	18					14.1	2.96	3.12
RGP-F320	20					15.7	3.06	3.20
RGP-F323	23					18.0	3.25	3.29
RGP-F325	25					19.6	3.27	3.41
RGP-F328	28					16 (2200 psi)	20 (2800 psi)	
RGP-F330	30	23.5	3.60	3.70				

# F3 GEAR PUMP



MODEL	A(mm)	B(mm)	C(mm)	D(mm)	PORT	
					INLET	OUTLET
RGP-F304	96	44	98	46	1/2"	1/2"
RGP-F306	98	45	100	47		
RGP-F308	101.5	46.75	103.5	48.75		
RGP-F310	104	48	106	50		
RGP-F312	108	50	110	52		
RGP-F314	110	51	112	53	3/4"	1/2"
RGP-F316	114	53	116	55		
RGP-F318	117	54.5	119	56.5		
RGP-F320	120	56	122	58		
RGP-F323	123	57.5	125	59.5		
RGP-F325	128	60	130	62		
RGP-F328	133	62.5	135	64.5		
RGP-F330	136	64	138	66		