

# F4 GEAR PUMP

## ■ RGP - F4 SERIES GEAR PUMP



### HOW TO ORDER

**RGP - F4 \*\* - R \*\* \* \***

• Gear Pump

• Series Number

• Nominal Discharge

• Rotation (from shaft side)

R: clock wise

L: anti-clock wise

• Cover

Omit: aluminum

C : casting iron

• In / Outlet Port

Omit: thread

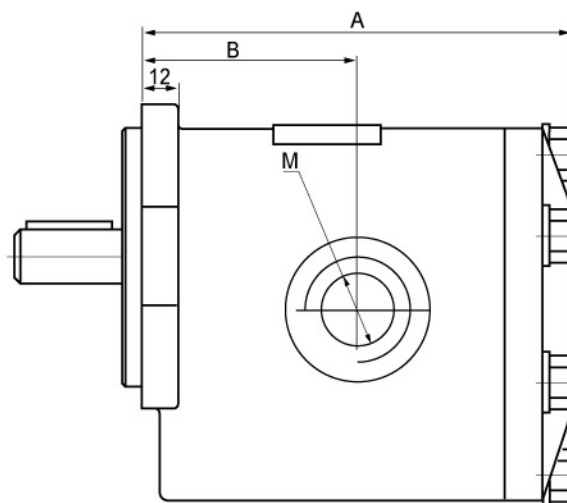
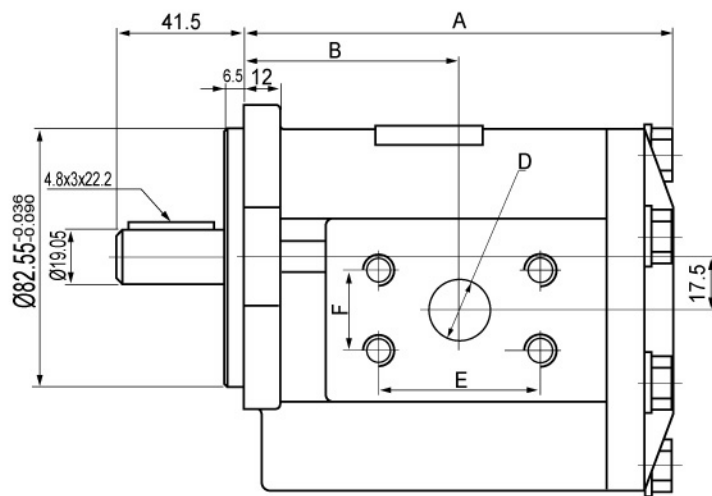
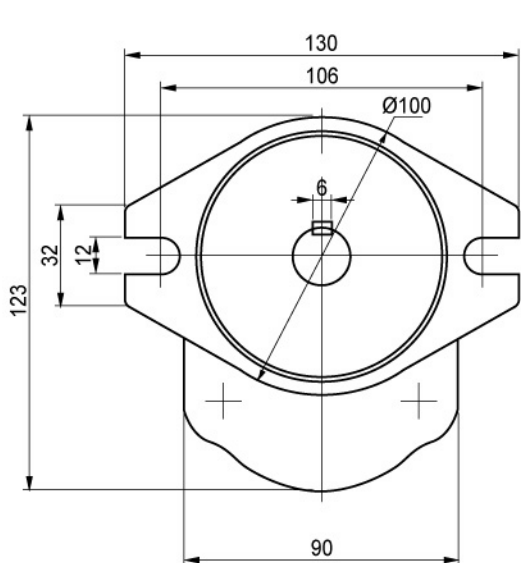
F : flange

• Shaft Type

Omit: Ø19.05 square key

Model	Displacement ml/rev	Pressure Mpa		Speed rpm		Input Power kw	Weight kg
		Rated	Max	Max	Min		
RGP-F410	10	20 (2800 psi)	25 (3500 psi)	3000	500	8.2	3.3
RGP-F416	16					13.1	3.5
RGP-F425	25					20.4	3.8
RGP-F427	27					21.3	3.9
RGP-F430	30					24.1	4.0
RGP-F432	32					26.1	4.1
RGP-F440	40					32.7	4.3

# F4 GEAR PUMP



MODEL	A	B	THREAD M		FLANGE INLET			FLANGE OUTLET		
			INLET	OUTLET	D1	E1	F1	D2	E2	F2
RGP-F410	108	53.5	3/4"	1/2"	23	47.6	22.2	20	47.6	22.2
RGP-F416	114	56.5								
RGP-F425	124	62								
RGP-F427	126	62.5	1"	3/4"	26	52.4	26.2	20	47.6	22.2
RGP-F430	131	65								
RGP-F432	133	65								
RGP-F440	142	70								