

# FIXED DISPLACEMENT VANE PUMPS

## 50T/150T SERIES

Maximum pressure : 70 kg/cm<sup>2</sup>

Flow capacity : 50T-07 : 6.8 l/min.    150T-48 : 47.7 l/min ( at 1000 r.p.m. )

12 : 11.6                                    61 : 61.1

17 : 16.5                                    75 : 74.9

23 : 22.9                                    94 : 93.6

26 : 25.9                                    116 : 115.6

36 : 36.0

39 : 38.8

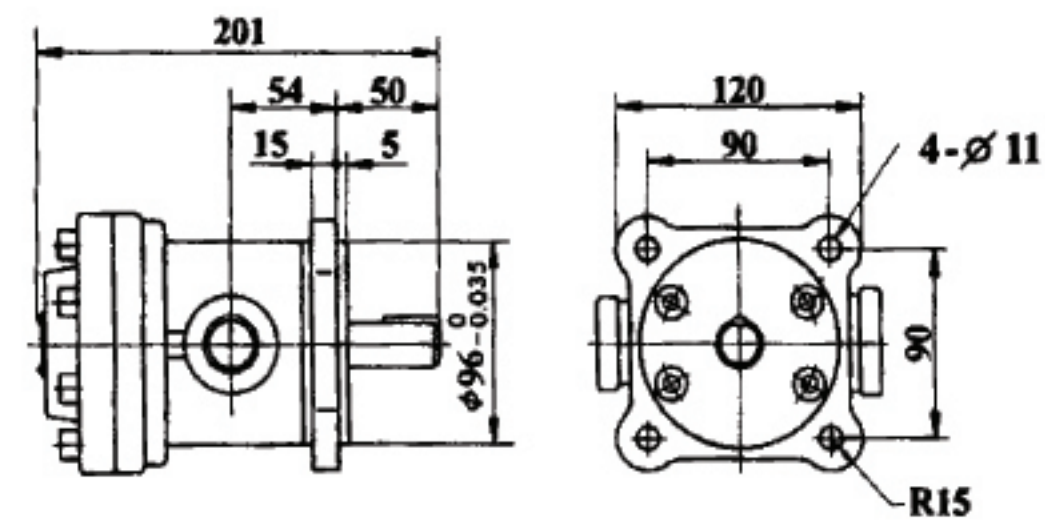
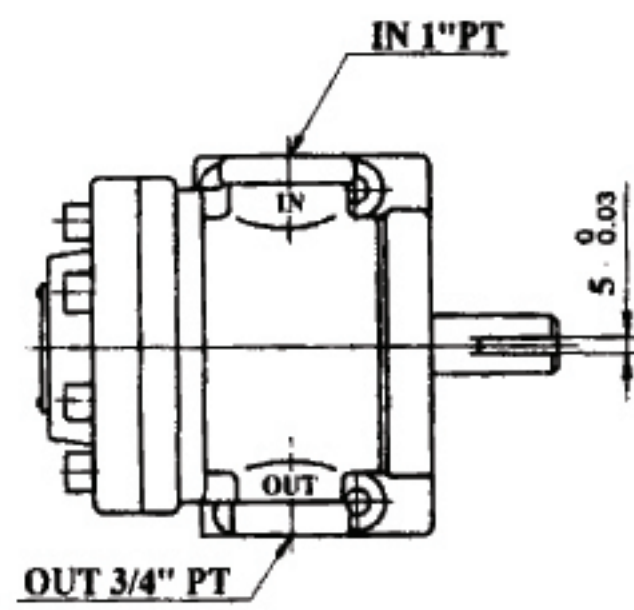
Weight : Foot type    50T : 10.5 kgs.

150T : 26.1 kgs.

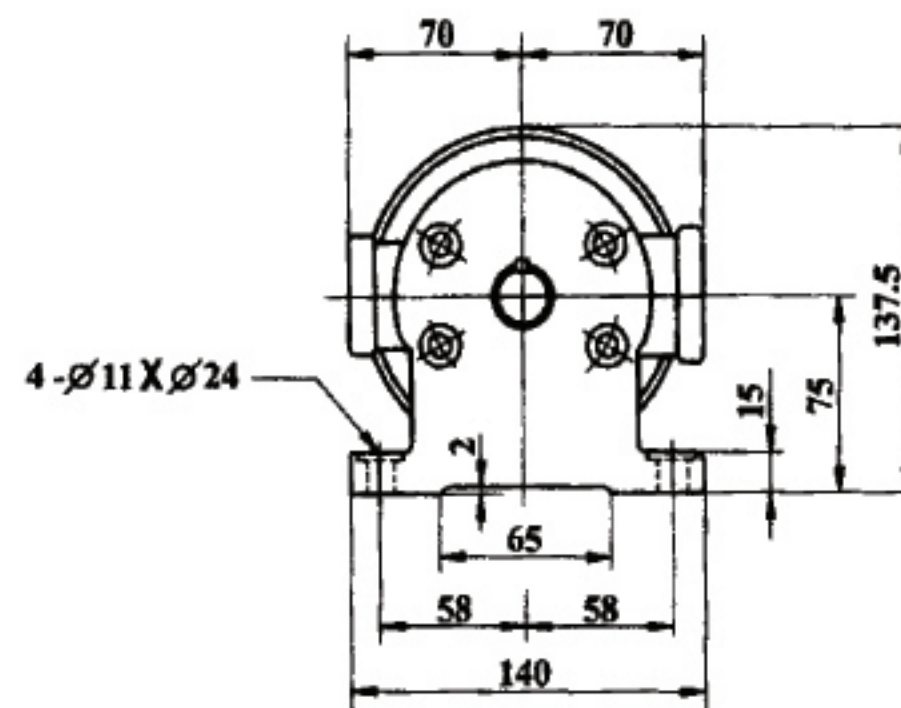
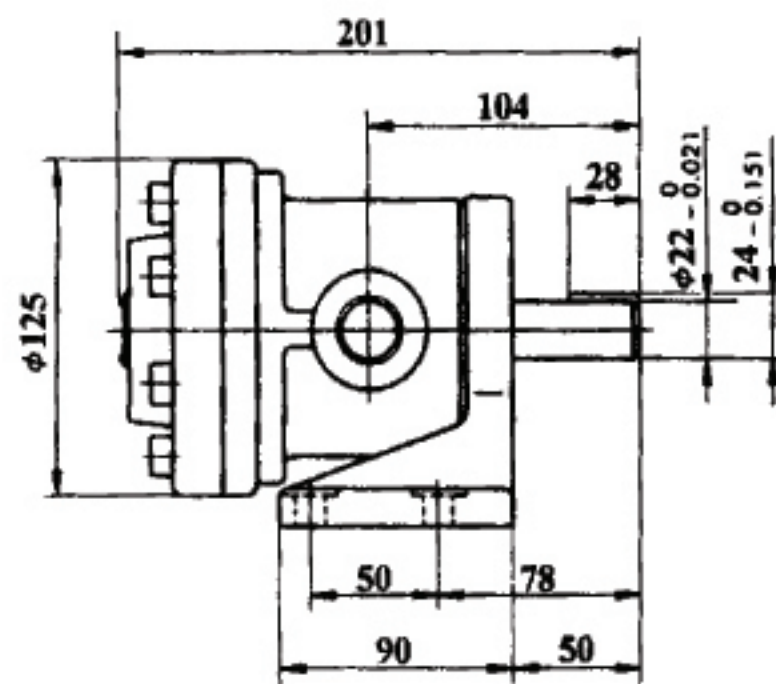
Flange type    50T : 9.0 kgs.

150T : 25.0 kgs.

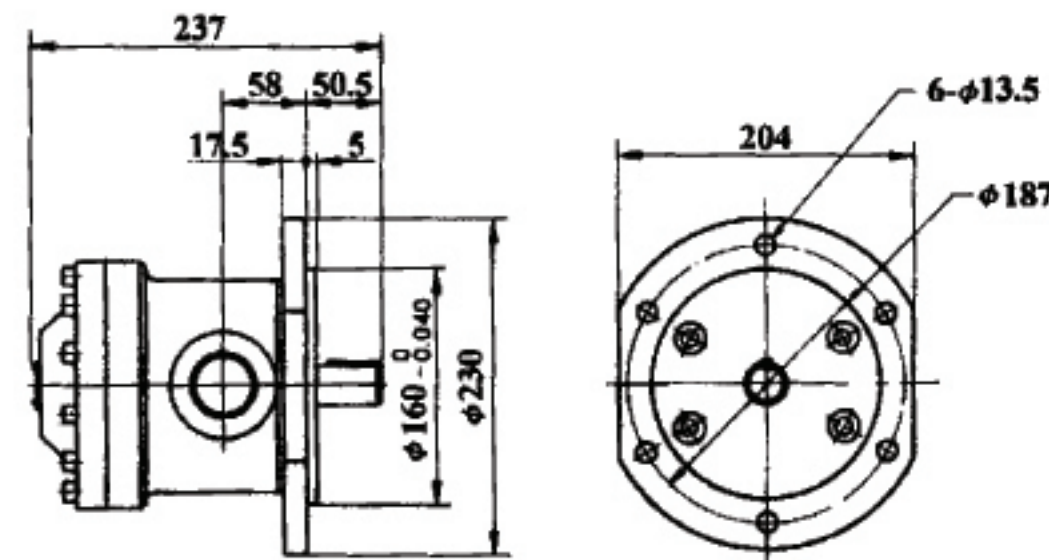
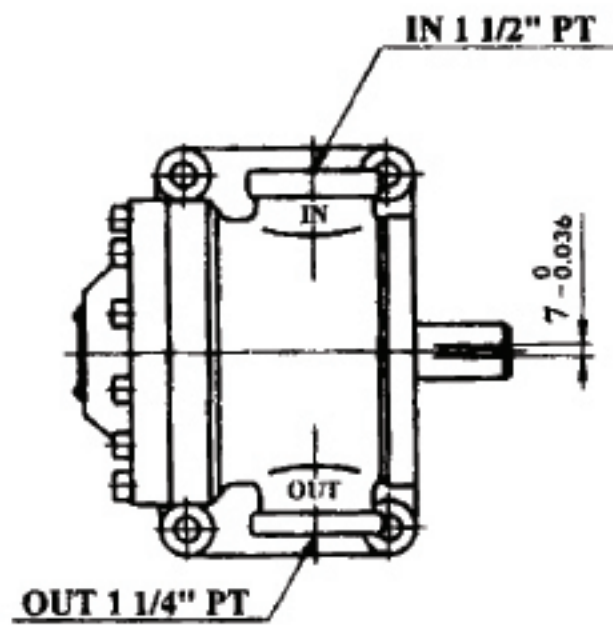
### 50T



Flange type



### 150T



Flange type

