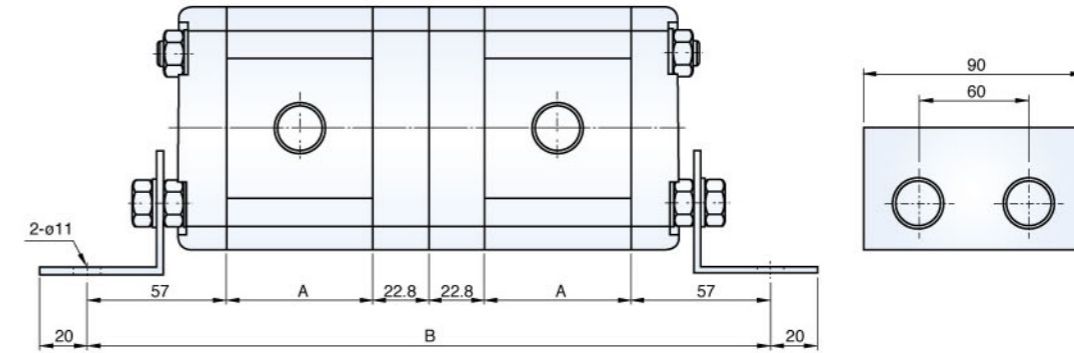


P<sub>max</sub>/最高壓力: 210bar (3000psi)  
 Q<sub>max</sub>/吐出量: 4cc/rev~35cc/rev  
 Single Motor/單聯

Dimensions / 尺寸圖



How To Order / 型號說明

DFM - 3 - 02A - 11 - 10  
 1 2 3 4 5

**Model**  
 Hydramax Synchronous Flow Dividers

**產品型號**  
 Hydramax 同步分流馬達

**Group**  
 3 Group

**尺碼款式**  
 3 款式

**Stations**  
 02A: 2 Stations  
 03A: 3 Stations  
 04A: 4 Stations

**固定方式**  
 02A: 雙聯  
 03A: 三聯  
 04A: 四聯

**Flow Rate**

4: 4 cc/rev  
 6: 6 cc/rev  
 8: 8.4 cc/rev  
 11: 11 cc/rev  
 13: 13 cc/rev  
 14: 14.3 cc/rev  
 17: 16.5 cc/rev  
 19: 19.2 cc/rev  
 23: 23 cc/rev  
 25: 25 cc/rev  
 28: 28 cc/rev  
 30: 30 cc/rev  
 35: 35 cc/rev

**流量**

4: 4 cc/rev  
 6: 6 cc/rev  
 8: 8.4 cc/rev  
 11: 11 cc/rev  
 13: 13 cc/rev  
 14: 14.3 cc/rev  
 17: 16.5 cc/rev  
 19: 19.2 cc/rev  
 23: 23 cc/rev  
 25: 25 cc/rev  
 28: 28 cc/rev  
 30: 30 cc/rev  
 35: 35 cc/rev

**Design Number**  
 10

**系列號碼**  
 10

Specifications / 產品規格

Model 產品型號	Displacement Capacity 吐出量 cc/rev	Max. Pressure 最高壓力 bar (psi)	Speed (rpm) 轉速		Port Sizes 出入口尺寸		A (mm)	B (mm)	Weight 重量 kg
			Loaded 負載	Unloaded 無負載	In 入口	Out 出口			
DFM-302A-4*	4	210(3000)	1000	2000	3/4" PT	1/2" PT	49	260.6	4.55
DFM-302A-6*	6	210(3000)	1000	2000	3/4" PT	1/2" PT	52	263.6	4.60
DFM-302A-8*	8.4	210(3000)	1000	2000	3/4" PT	1/2" PT	55	269.6	4.70
DFM-302A-11*	11	210(3000)	1000	2000	3/4" PT	1/2" PT	60	279.6	4.98
DFM-302A-13*	13	210(3000)	1000	2000	3/4" PT	1/2" PT	64	287.6	4.98
DFM-302A-14*	14.3	210(3000)	1000	2000	3/4" PT	1/2" PT	66	291.6	5.53
DFM-302A-17*	16.5	210(3000)	1000	2000	3/4" PT	1/2" PT	70	299.6	5.53
DFM-302A-19*	19.2	210(3000)	1000	2000	3/4" PT	1/2" PT	74	303.6	6.13
DFM-302A-23*	23	210(3000)	1000	2000	1" PT	3/4" PT	81	321.6	6.13
DFM-302A-25*	25	210(3000)	1000	2000	1" PT	3/4" PT	84	327.6	6.13
DFM-302A-28*	28	210(3000)	1000	2000	1" PT	3/4" PT	88	335.6	6.67
DFM-302A-30*	30	210(3000)	1000	2000	1" PT	3/4" PT	92	313.6	6.67
DFM-302A-35*	35	210(3000)	1000	2000	1" PT	3/4" PT	102	323.6	6.9

附註: 注意啓動壓力: 30kgf/cm² 以上

DFM-304A-17M

