



- ➔ Pmax/最高壓力: 210bar (3000psi)
- ➔ Qmax/吐出量: 4cc/rev~70cc/rev
- ➔ Mounting Type/法蘭型式: SAE 2-bolt/孔式
DIN 4-bolt/孔式

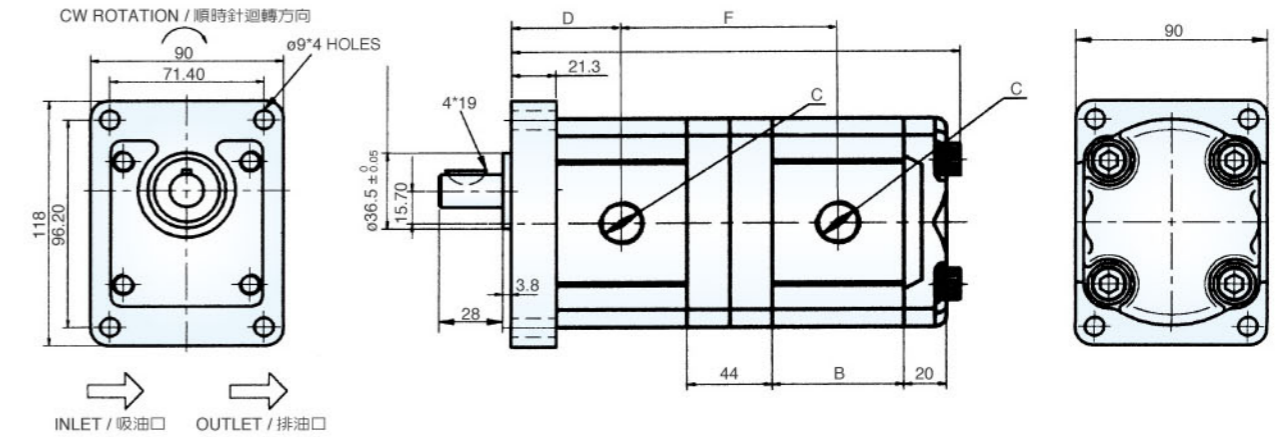
HGP-*33A-*4BD-10 (4-bolt/孔式)

How To Order / 型號說明

HGP - 33A - F - 88 - R - X - 2B - 10

1 2 3 4 5 6 7 8

1		5	
Model Hydramax Gear Pump	產品型號 Hydramax 齒輪泵	Rotational Direction *Viewed from shaft side R: Clockwise L: Counter-clockwise	旋轉方向 *由心軸側視之 R: 順時針 L: 逆時針
2		6	
Group 3 Group Tandem	尺碼款式 3 款式雙聯	Shaft Type X: Straight shaft Y: Spline Shaft Z: Taper Shaft	心軸型式 X: 平行鍵 Y: 梅花鍵 Z: 推拔鍵
3		7	
Mounting F: Flange Type L: Foot Type	固定方式 F: 法蘭型式 L: 腳座型式	Flange Mounting Type 2B: SAE 2-bolt 4BD: DIN 4-bolt	心軸型式 2B: SAE 2孔式 4BD: DIN 4孔式
4		8	
Displacement 2: 2 cc/rev 3: 3 cc/rev 4: 4 cc/rev 6: 6 cc/rev 8: 8.4 cc/rev 11: 11 cc/rev 13: 13 cc/rev 14: 14.3 cc/rev 17: 16.5 cc/rev 19: 19.2 cc/rev 23: 23 cc/rev 25: 25 cc/rev 28: 28 cc/rev 30: 30 cc/rev 33: 33 cc/rev 35: 35 cc/rev	吐出量 6: 6 cc/rev 8: 8.4 cc/rev 11: 11 cc/rev 13: 13 cc/rev 14: 14.3 cc/rev 17: 16.5 cc/rev 19: 19.2 cc/rev 23: 23 cc/rev 25: 25 cc/rev 28: 28 cc/rev 30: 30 cc/rev 33: 33 cc/rev 35: 35 cc/rev	Design Number 10	系列號碼 10



Model 產品型號	D mm	F mm	Weight 重量 kg
HGP-33A-*22*	44	89.7	4.23
HGP-33A-*33*	44.8	91	4.28
HGP-33A-*44*	45.8	93	4.5
HGP-33A-*66*	47.3	96	4.7
HGP-33A-*88*	48.8	99	4.9
HGP-33A-*1111*	51.3	104	5.1
HGP-33A-*1313*	53.3	152	5.3
HGP-33A-*1414*	54.3	110	5.5
HGP-33A-*1717*	56.3	114	6.0
HGP-33A-*1919*	58.3	118	6.2
HGP-33A-*2323*	61.8	125	6.4
HGP-33A-*2525*	63.3	128	6.6
HGP-33A-*2828*	65.3	132	6.8
HGP-33A-*3030*	67.3	136	6.9
HGP-33A-*3333*	70.3	142	6.95
HGP-33A-*3535*	72.3	146	7.28

Dimensions / 尺寸圖

HGP-*33A-*2B-10 (2-bolt/孔式)

