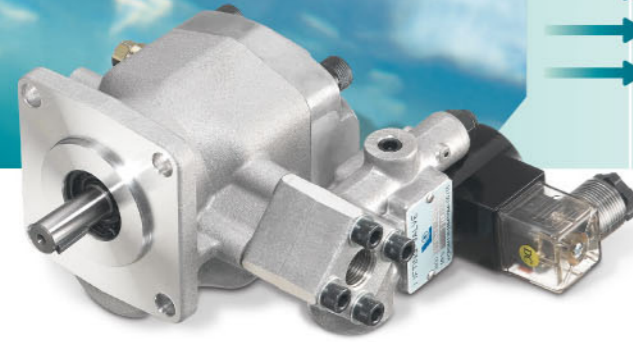


# Gear Pump with Lift Valve

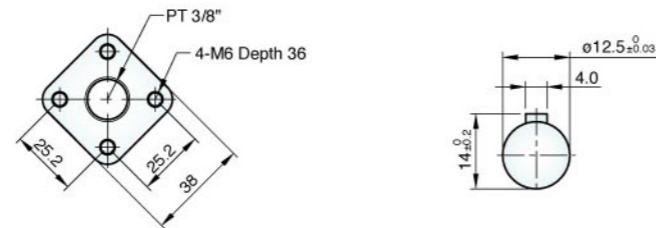
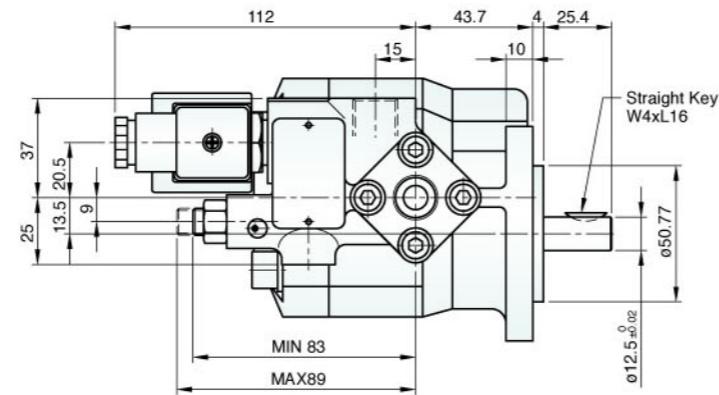
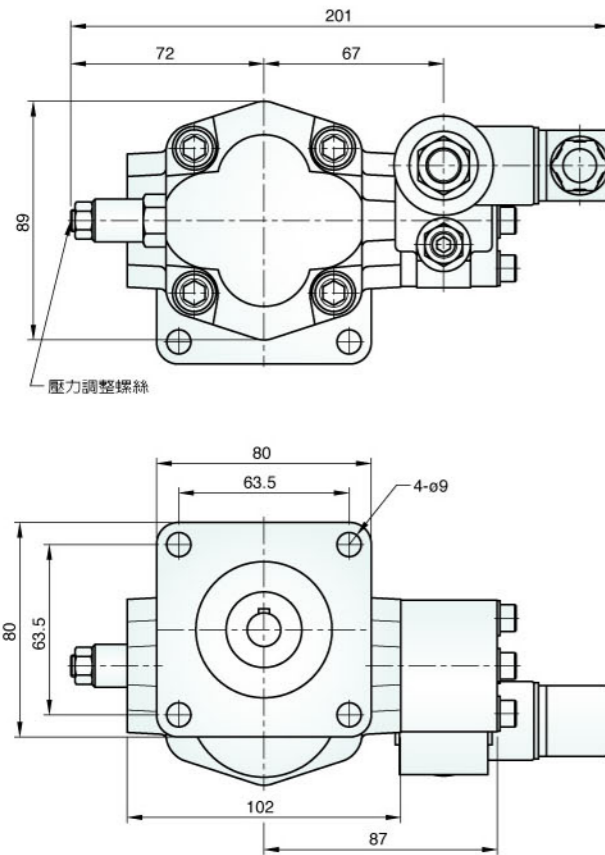
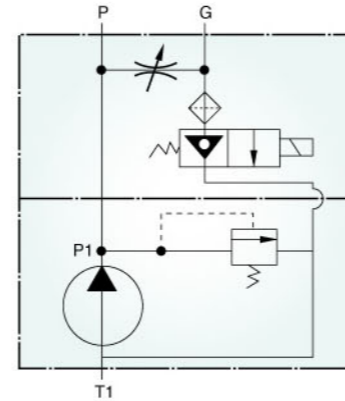
## 齒輪泵附升降閥



## PR1+V2064 Series

- Pmax/最高壓力: 210bar (3000psi)
- Qmax/最大流量: 20LPM
- Mounting Type/法蘭型式: JIS 4-bolt/孔式

### Dimensions / 尺寸圖



# Gear Pump with Lift Valve

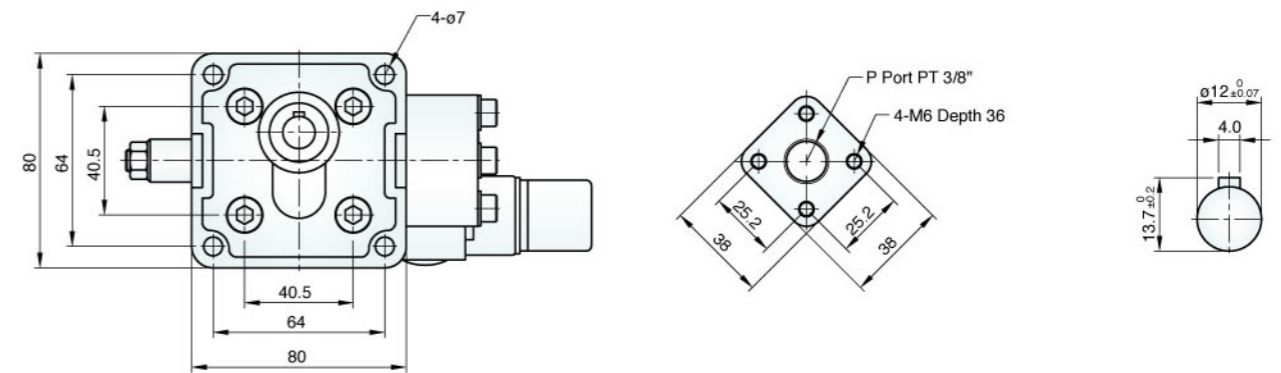
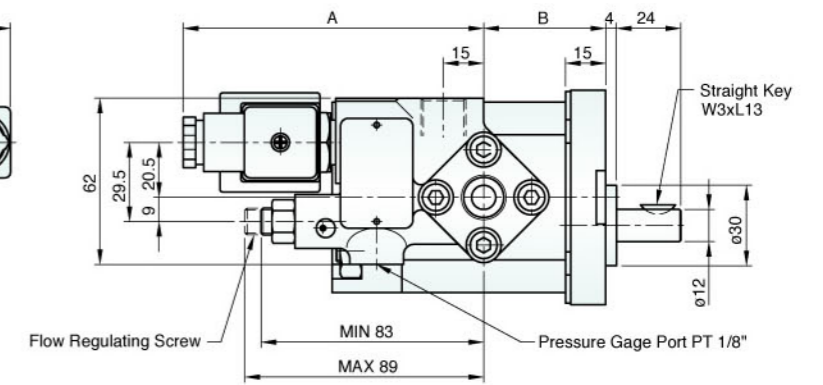
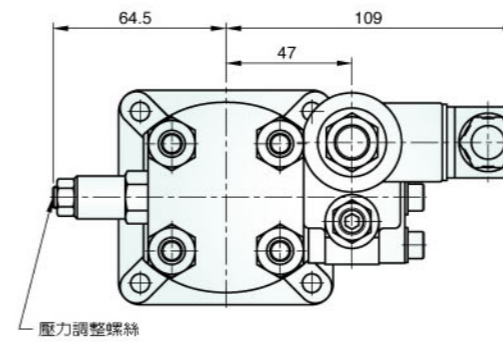
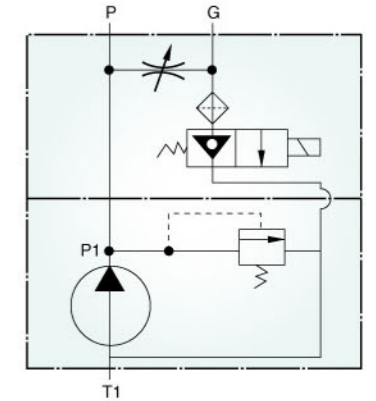
## 齒輪泵附升降閥



## PR2+V2064 Series

- Pmax/最高壓力: 210bar (3000psi)
- Qmax/最大流量: 20LPM
- Mounting Type/法蘭型式: SAE 2-bolt/孔式  
European/歐洲 &  
DIN 4-bolt/孔式

### Dimensions / 尺寸圖



產品型號 / Model	A (m/m)	B (m/m)
PR2-005	112	31.0
PR2-008	112	31.5
PR2-010	112	33.5
PR2-020	112	34.5
PR2-026	112	36.0
PR2-030	112	37.5
PR2-040	112	38.5
PR2-050	112	40.5
PR2-060	112	42.5
PR2-080	112	45.5

附註: PR2-010, PR2-080 才可與 V2064 做搭配 Note: PR2-010, PR2-080 only then may make matching with V2064.